

Description & Features

- Very accurate gauge, complete with calibration certificate traceable to NIST standards
- Mirrored anti-parallax dial
- Knife edge pointer
- Optional protective carrying and storage case
- Ranges between vacuum and 58000psi (4000 bar) for 6" dial

Applications

- Designed to be used where accuracy and repeatability are of prime importance
- Used in laboratories and instruments testing facilities

Specifications

Dial Size

6" (150mm) white aluminum dial with black markings, both dials have mirror band for precise instrument readings

Pressure Range

6" dial - From vacuum to 58000psi (4000bar)

Case/Ring

304 stainless steel with bayonet bezel

Lens

Glass - 6"

Pointer

Aluminum, anodized black, micrometer adjustable, knife-edge

Bourdon Tube

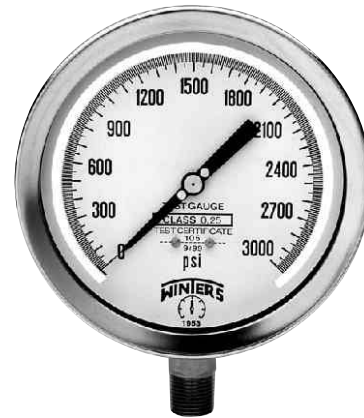
6" - Copper berillium for ranges up to 8700psi (600bar)
Ni-Span C (Fe Ni Cr alloy) for ranges between 14000psi (1000bar) and 58000psi (4000bar)

Welding

TIG

Pressure Connection

1/4", 3/8" and 1/2" in NPT, BSP, BSPT
5/8"-18 UNF or M16x1.5F for 36000-58000psi



Protection

IP55

Working Pressure

Maximum 75% of full scale value

Over-pressure Limit

30% of full scale value

Calibration Conditions

68°F(±5.4°F) 20°C(±3°C) for ambient and process temperatures at atmospheric pressure

Accuracy

6"(150mm) ±0.25% full scale

Options

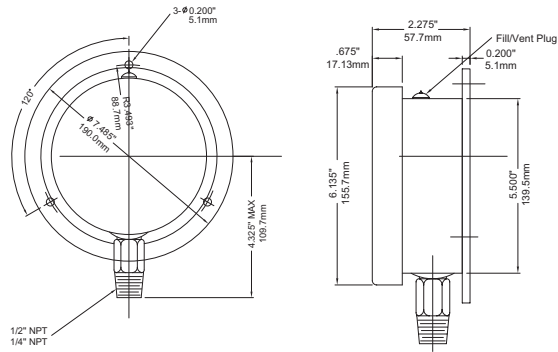
Carrying case
Oxygen cleaning
Laminated safety glass
Solid front safety case for 6"
Back connection with front flange
Other ranges and connections sizes

Order Information

Series/ Dial Size/ Case Materials/ Wetted Parts/ Configuration/ Connection Size/ Thread/ Range/ Option

Dimensions

6" Bottom with back flanged



6" Back connection

